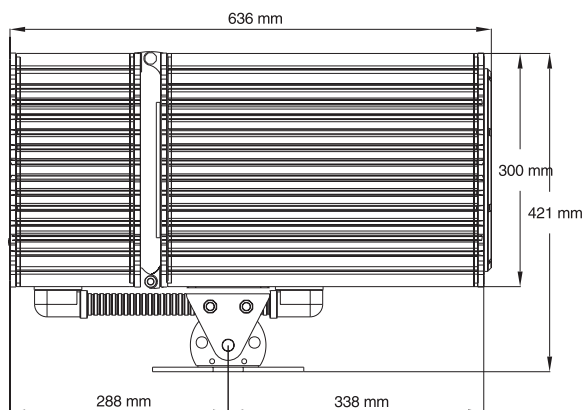


# appendix c SPECIFICATIONS

## Physical

- Length..... 636 mm (25.0 in)
- Width ..... 375 mm (14.8 in)
- Height ..... 421 mm (16.6 in)
- Weight..... 48 kg (105.6 lbs)



## Compatible lamps

- Osram HSD 575..... 3000 h, 7200K, 78 lm/w
- Osram HSR 575/2..... 1000 h, 6000K, 85 lm/w
- Philips MSD 575 ..... 2000 h, 6000K, 75 lm/w
- Philips MSR 575/2..... 1000 h, 7200K, 85 lm/w

## Performance

- Light output (6" Fresnel lens, MSR 575/2) ..... 20,000 lumens

## Thermal

- Maximum ambient temperature ( $T_a$ ) ..... 40° C (104° F)
- Maximum surface temperature ..... 80° C (176° F)

## Control and programming

- Data pin-out ..... pin 1 shield, pin 2 cold (-), pin 3 hot (+)
- Receiver ..... Opto-isolated RS-485
- Setting and addressing ..... remotely w/ MPBB1 Uploader
- Protocols ..... USITT DMX-512 (1990), Martin RS-485
- DMX speed control ..... tracking and/or vector
- DMX channels ..... 8-9

## Connections

- AC input ..... 1.8 m (5.9 ft.) trailing cable w/o cord cap
- Data I/O ..... 1.8 m (5.9 ft.) trailing cable w/ dual 3-pin XLR male & female

## Maximum power and current

- @ 200 V, 50 Hz ..... 640 W, 4.0 A
- @ 230 V, 50 Hz ..... 670 W, 3.6 A
- @ 245 V, 50 Hz ..... 660 W, 3.4 A
- @ 208 V, 60 Hz ..... 640 W, 4.0 A
- @ 227 V, 60 Hz ..... 670 W, 3.6 A
- @ 277 V, 60 Hz (requires 277 V power supply) ..... 725 W, 3.3 A

## Design standards

- Canadian safety..... CSA C22.2 NO 166
- EU EMC .....50 081-1, 50 082-1
- EU safety .....EN 60598-1, EN 60598-2-17
- US safety..... ANSI/UL 1573

## Construction

- Housing..... extruded aluminum
- Finish ..... Anodized, natural aluminum color
- Front glass..... 6 mm anti-reflection coated
- Base ..... 6 mm stainless steel
- Housing-to-base attachment ..... 2 stainless steel M10 bolts, A2 DIN 933, 18.8
- Protection factor ..... IP 65

## Installation

- Mounting points..... 4 curved 10 mm (3/8 in) slots on 85 mm radius
- Orientation ..... any
- Swivel ..... +/- 25°
- Tilt (pedestal mounted)..... +/- 40°
- Minimum distance to combustible materials..... 1 m (39 in)
- Minimum distance to illuminated surfaces..... 1 m (39 in)

## Optional accessories

- Narrow angle 8" Fresnel lens ..... P/N 91610014
- Wide angle diffuser "lens" kit ..... P/N 91610011
- Narrow angle 8" Fresnel lens ..... P/N 41204010
- MPBB1 Uploader ..... P/N 90758410
- MC-X Controller, 220 - 245 V / 50 Hz ..... P/N 90718200
- MC-X Controller, 110 - 120 V / 60 Hz ..... P/N 90718300
- MAC 600 Diffusion/color filter adaptor ..... P/N 91611001

## Selected spare parts

- Exterior 600 seal kit (8 pcs.)..... P/N 91611017
- Seal for alu. gable, Exterior 600 (4 pcs. included in seal kit)..... P/N 20600020
- Seal 1 for front lens, Exterior 600 (2 pcs. included in seal kit)..... P/N 20620060
- Seal for lamp replacement, Exterior 600 (1 pc. included in seal kit)..... P/N 20620050
- Seal for bracket, Exterior 600 (1 pc. included in seal kit)..... P/N 20600010
- Main fuse ..... 6.3 A / 250 V time delay, P/N 05020020
- Fuse F601 ..... 5.0 A / 250 V time delay, P/N 05020018
- Fuse F602 ..... 4.0 A / 250 V time delay, P/N 05020016
- Fuse F603 ..... 0.315 A / 250 V time delay, P/N 05020004

## Torques

- End plates ..... 3 N.m (2.2 Ft-Lbs)
- Lamp access plate..... 3 N.m (2.2 Ft-Lbs)
- Front glass ring ..... 1.5 N.m (1.1 Ft-Lbs)
- Conduit elbows ..... 4 N.m (3 Ft-Lbs)